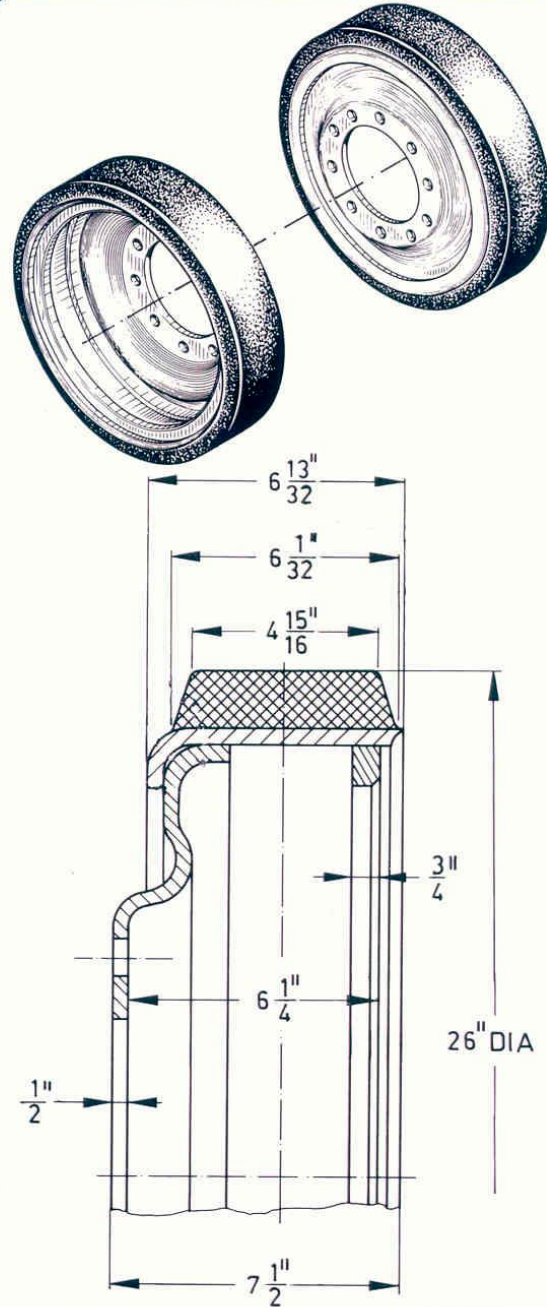


## DISC ASSY. ROAD WHEEL

### ROAD WHEEL DATA

|                     |   |
|---------------------|---|
| Vehicle Application | M47<br>M48 series<br>M60 series *<br>M88                          |
| Description         | Steel Welded Construction,<br>Rubber Vulcanization                |
| Nominal Size        | 26" X 6"  |
| No. of Bolt Holes   | 10  |
| Weight (approx.)    | lb. 157<br>Kg. 72   |
| Part No.            | ORD (Single) 7013976 *<br>NSN (Single) 2530-00-701-3976 *         |
| Qty. Per Vehicle    | Road Wheels 24<br>Idler Wheels (Same Configuration) 4<br>Total 28 |



\*Replaces and is completely interchangeable with the original Aluminium Road Wheel Ord. 10887252. Identical with Road Wheel Ord. 12290876.